

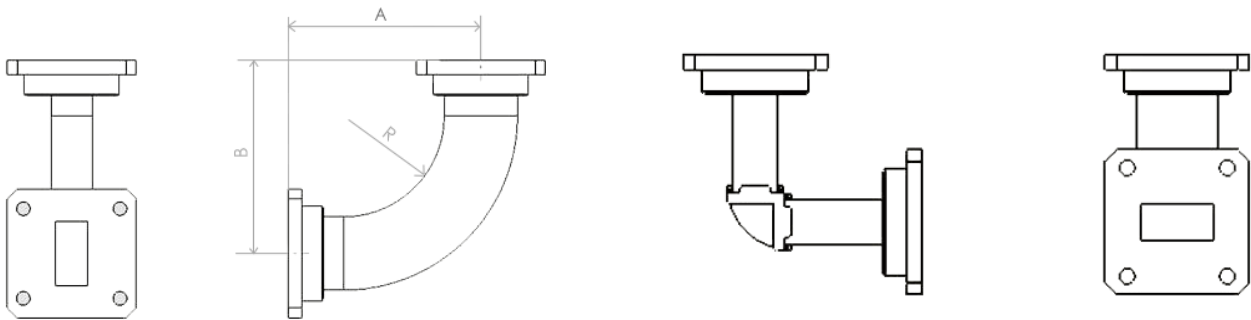


Model Number:
WGBKX-1919

RF Components

K-Band Waveguide Plane Bend

12.40-18.00 GHz



Swept Bend

Mitred Bend

Specification		
Bend Type	Swept	Mitred
Waveguide Size	WG18 / WR62 / R140	
Bend	E or H	
Flange Options	UBR 140 or PBR 140 UG 140 Flat or UG 140 Seal / Grooved	
Flange Material/Finish	Brass Flanges Copper WG Black Paint	
Frequency Range	12.40-18.00 GHz	
VSWR / Return Loss	1.05:1 / 32.2 dB	1.1:1 / 25.6 dB
Leg Lengths	200mm	
Bend Angle	90 degrees	
Max Power	120kW	
Radius	30mm	

Broadcast



Marine Oil & Gas



SNG & VSAT



Satellite Teleport

